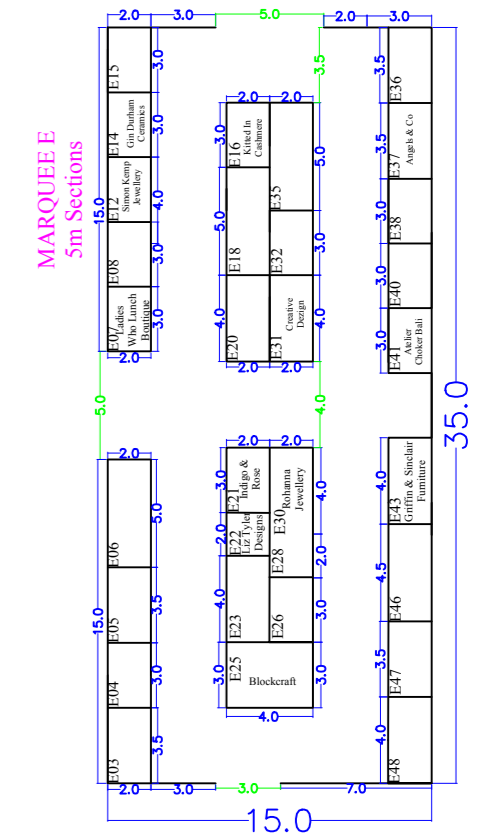
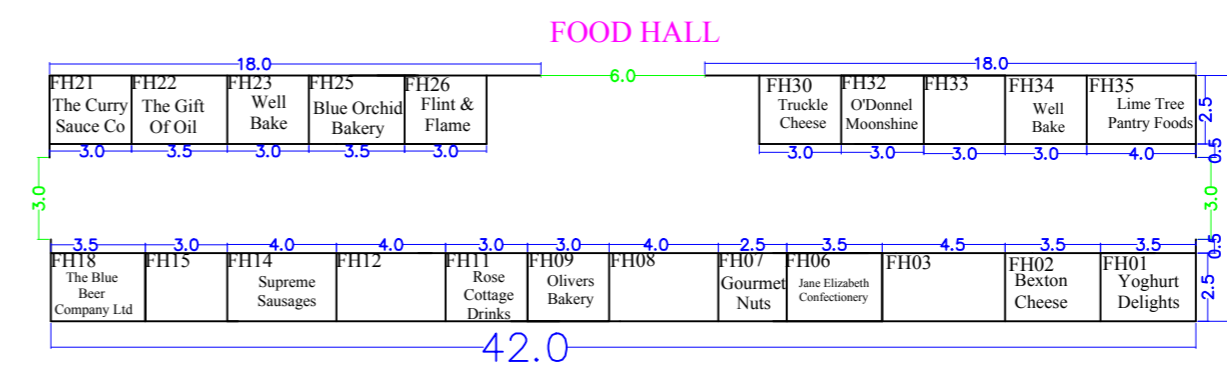
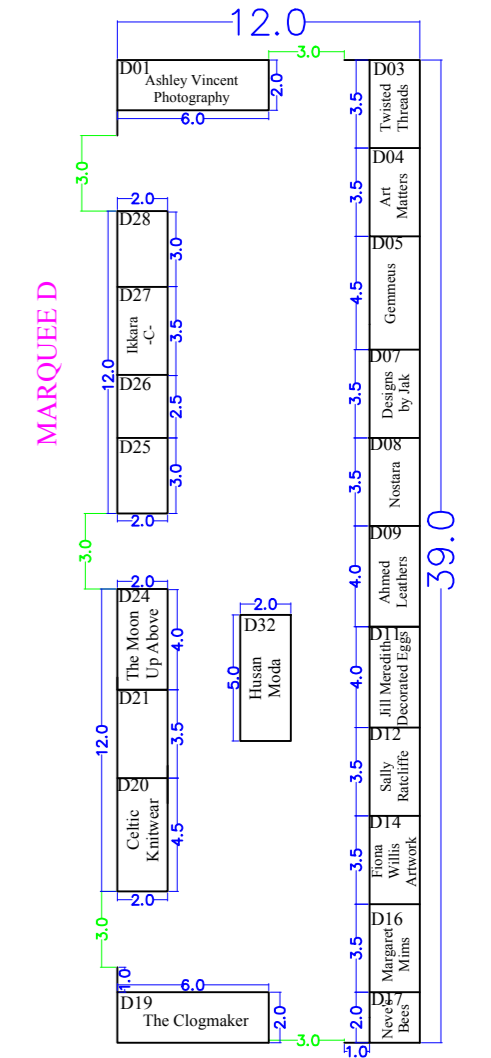
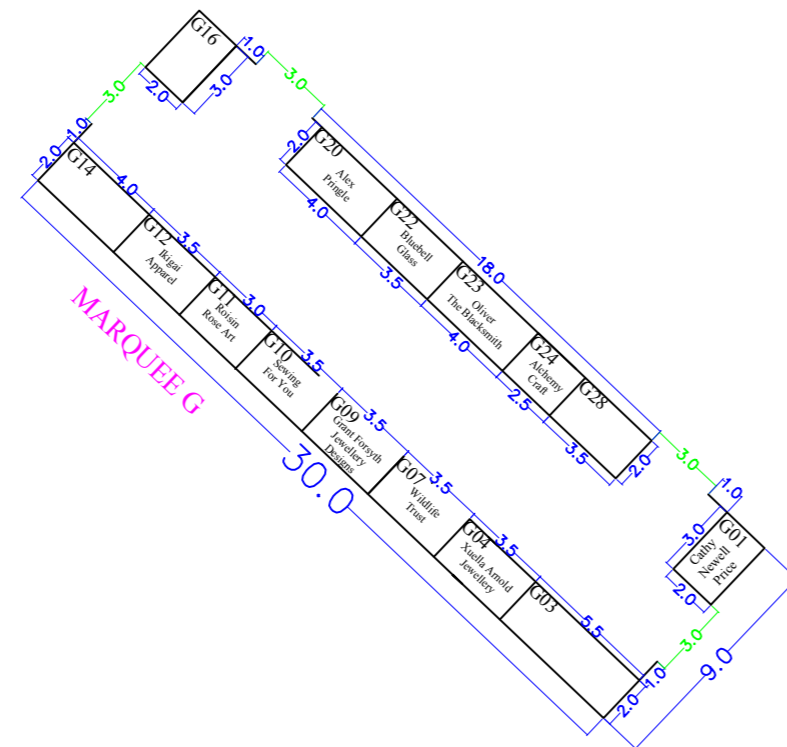
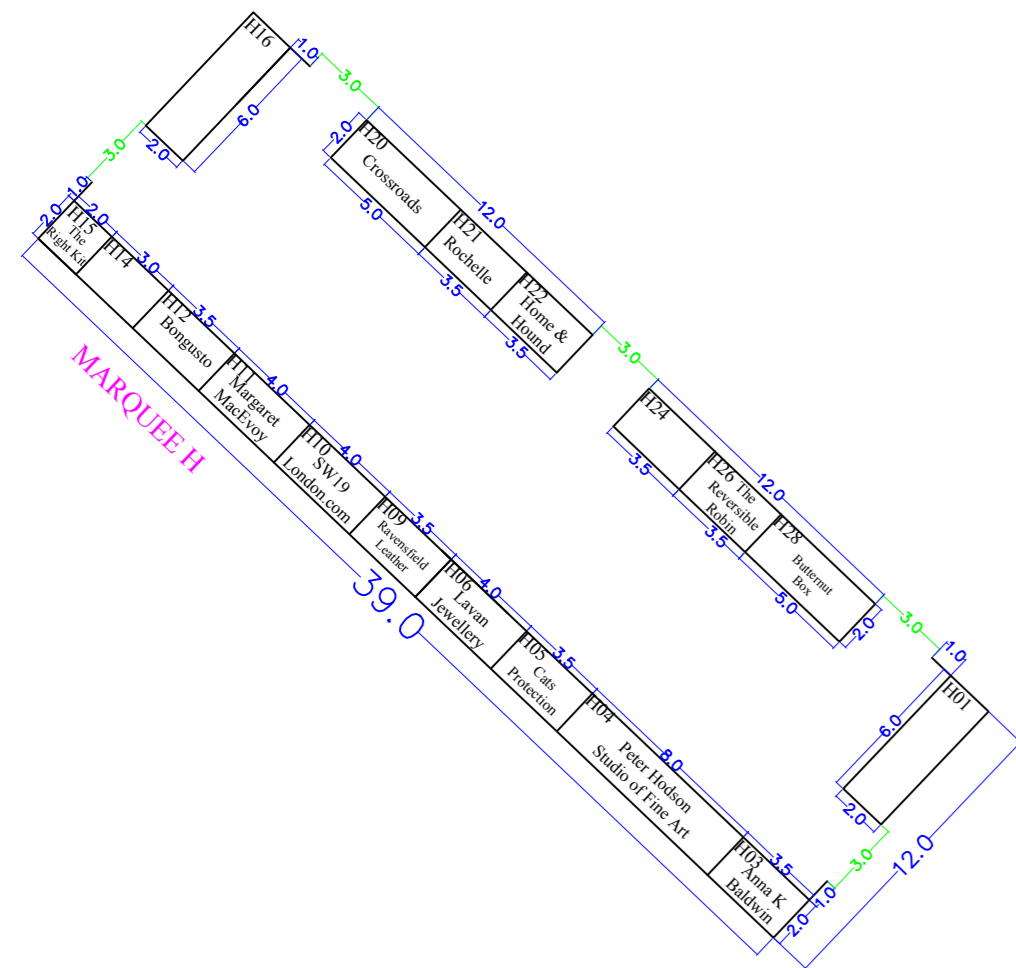
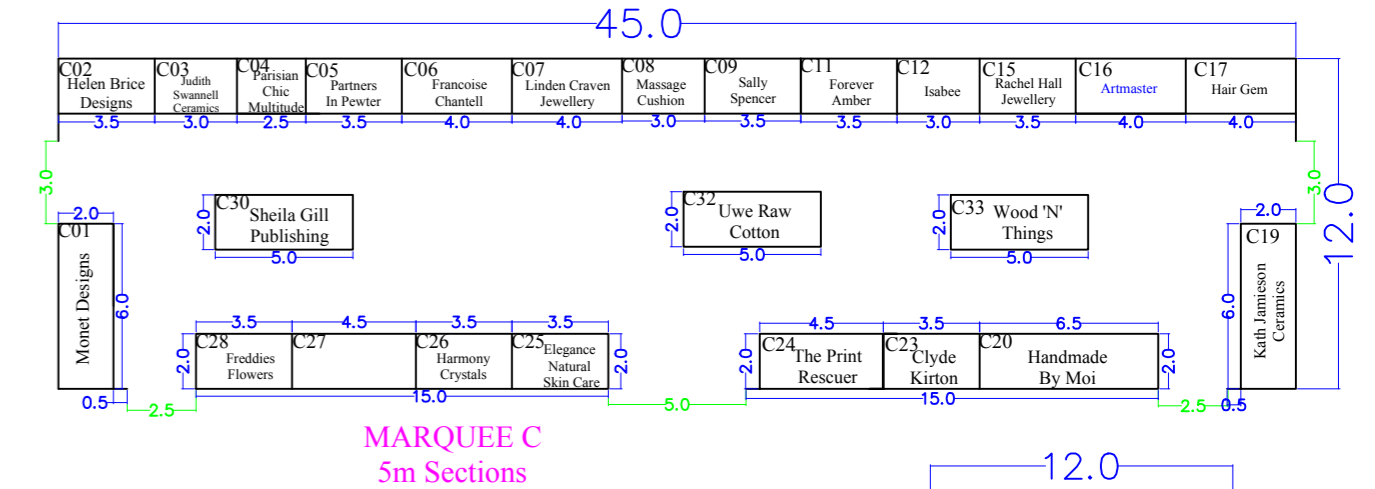
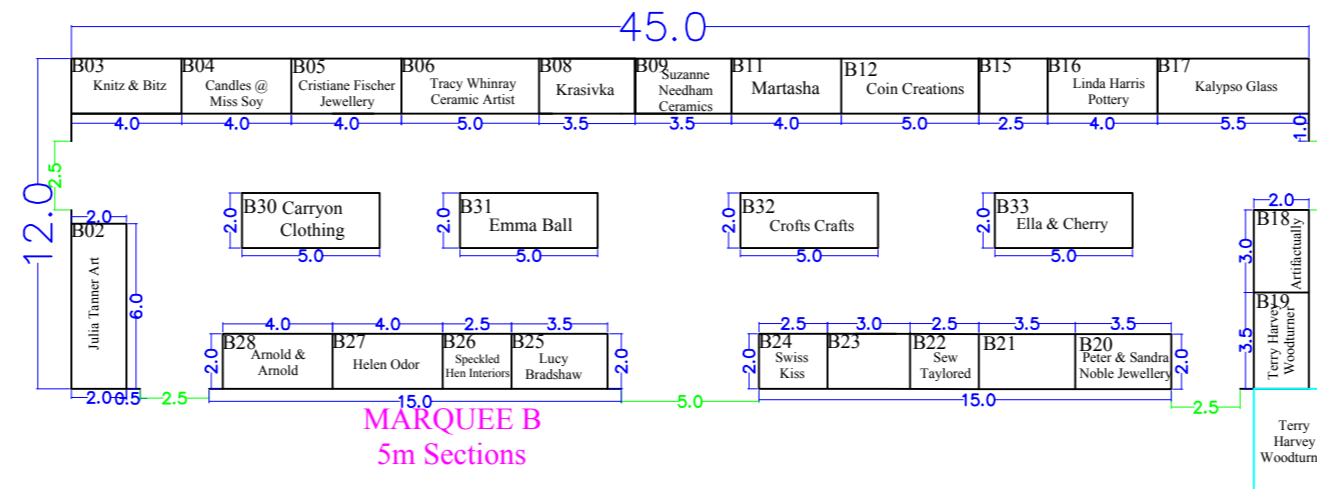
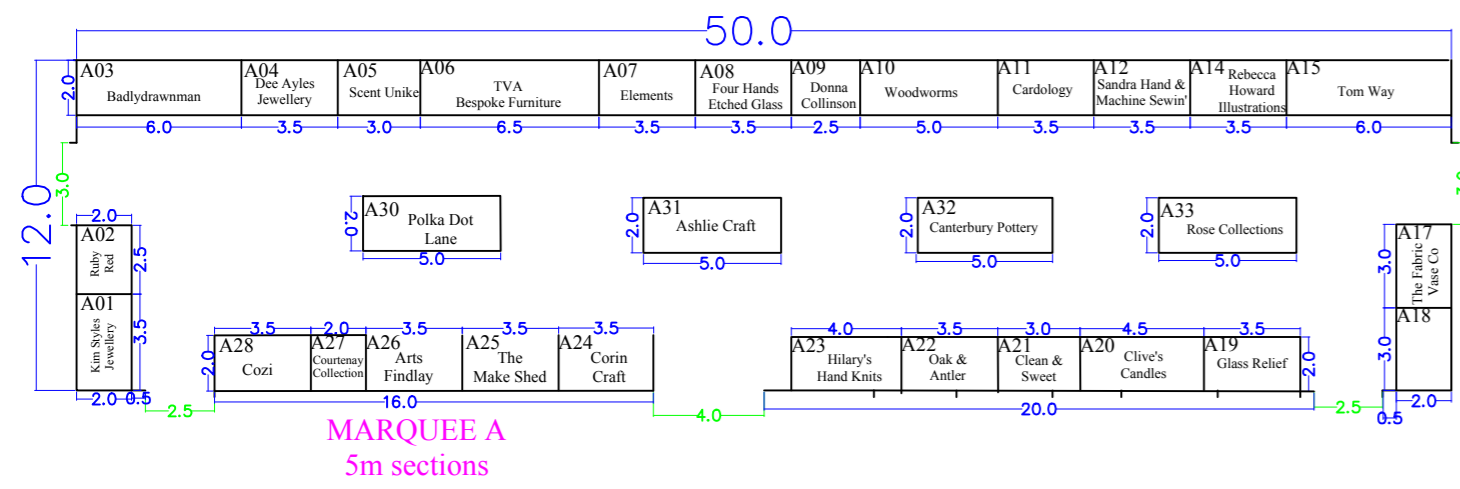


# Henley Country Craft Show, 23rd - 26th August 2019



**Stonor Park  
nr Henley**

Scale: 1:275

Drawing Name:  
SP19 Overall Plan  
Drawing No:  
1.0  
Drawing Date:  
22/05/2019  
Show Contact:  
Helen Brown

**Legend:**

- |                          |                |                     |           |
|--------------------------|----------------|---------------------|-----------|
| Art / Cards / Stationary | Clothing/Shoes | Leathergoods / Bags | Textiles  |
| Candles / Home Fragrance | Furniture      | Metalwork           | Woodcraft |
| Ceramics / Sculpture     | Glassware      | Others              |           |
| Charity & Subscriptions  | Jewellery      | Skincare / Soaps    |           |

**General Notes:**  
Not to scale

**ICHF Events**

Dominic House  
Seaton Road  
Highcliffe  
Dorset BH23 5HW  
United Kingdom  
Phone: +44 (0)1425 272711  
Email: info@ichf.co.uk  
[www.ichfvents.co.uk](http://www.ichfvents.co.uk)